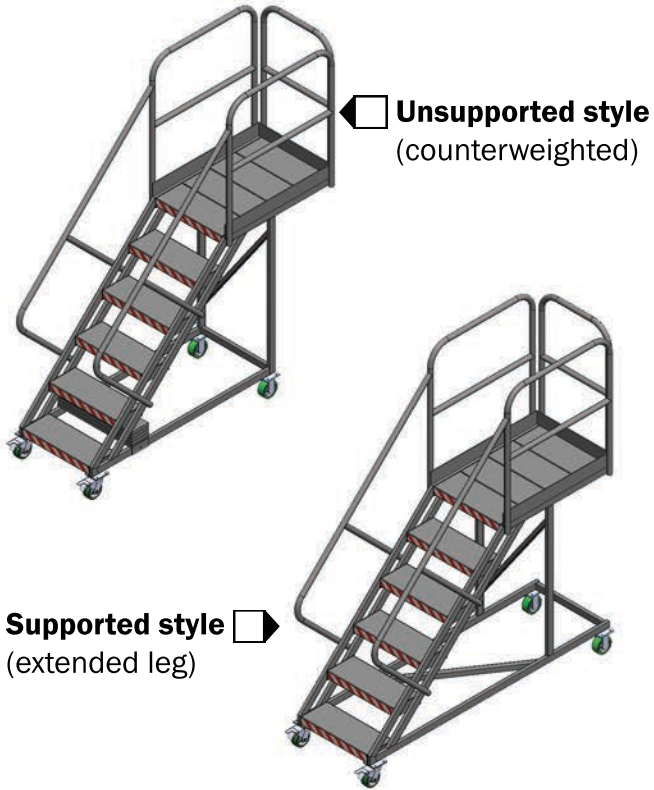
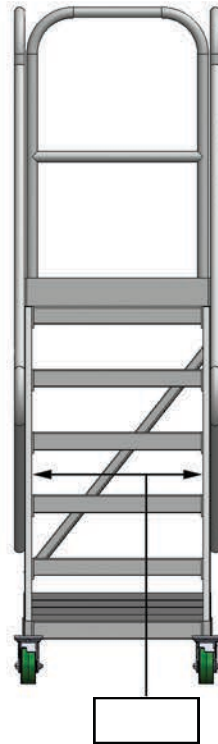
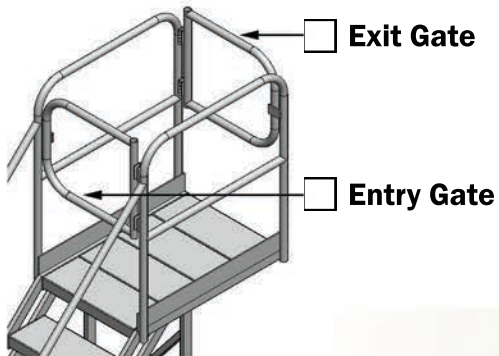




Cantilever Ladder Specification Form



Gate Options
(may not be available based on platform size)



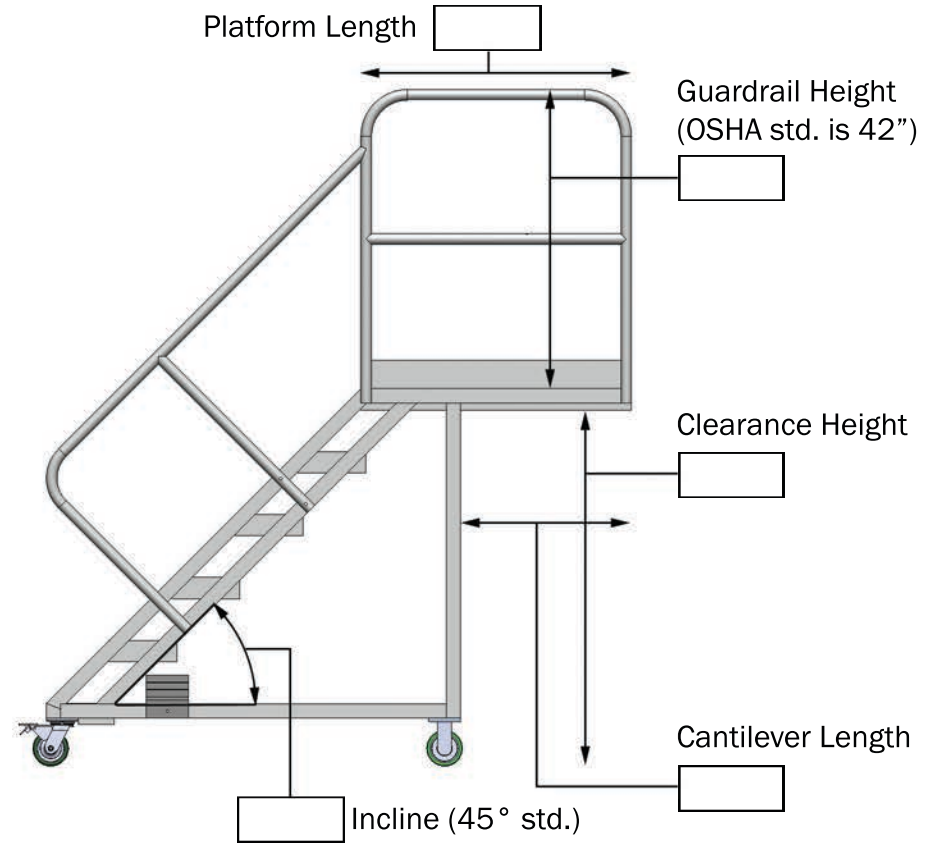
Step Width
(16" min., 24" std.)

Capacity requirement:

(lbs. or persons)

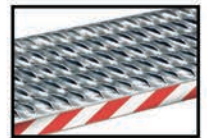
Color choice: Gray Yellow

Other:
specify RAL code for color match

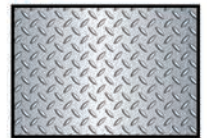


Step Type Options

Grip Strut (std.)
(open grating with high-grip teeth)



Diamond Plate
(solid with anti-slip patterned surface)



Please submit a completed form to design@safe-t-fab.com to request a proposal